

# Nest Box for Mountain and Western Bluebirds



Mountain Bluebird Adult Male



Western Bluebird Adult Male

## Nesting Range



## Nesting Time

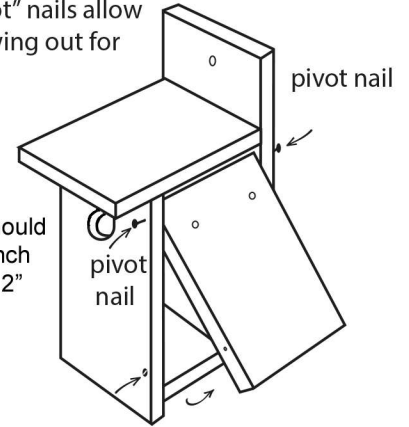
Have nest box ready for the arrival of bluebirds in the GVM area the second week of March.

## Tips

The boxes are oftentimes placed in pairs at least 100 yards apart, with 10 to 20 feet between boxes in a pair. Competitors like swallows can nest in the first box, leaving the second for bluebirds.

At the end of the season, you can remove the nesting material and scrub the inside with a mild detergent and water.

Two "pivot" nails allow side to swing out for cleaning.



Opening should be 1-9/16 inch with center 2" from top

## Assembly instructions

It takes one 9/16" by 5-1/2" cedar fence picket per box.

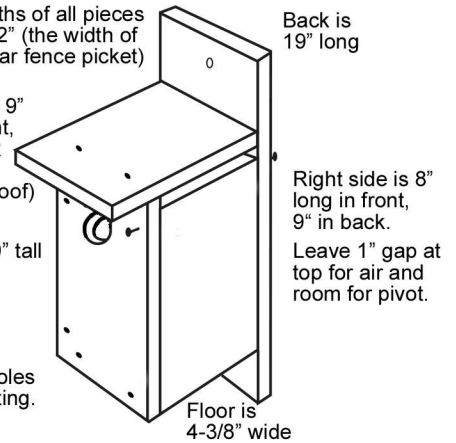
The widths of all pieces are 5-1/2" (the width of that cedar fence picket)

Left side is 9" long in front, 10" in back (gives 1" slope for roof)

Front is 9" tall

Assemble with 1-5/8" exterior wood screws

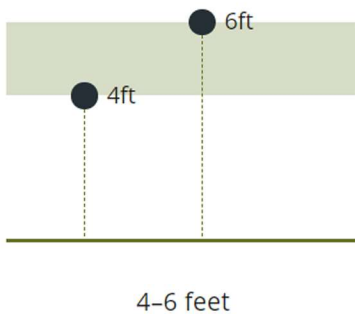
Pre-drill the holes to avoid splitting. Use 1/8" bit.



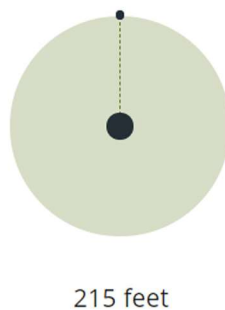
## Nest Box Placement

Attach to pole or tree

Nest Height:



Minimum Spacing:



Facing:

